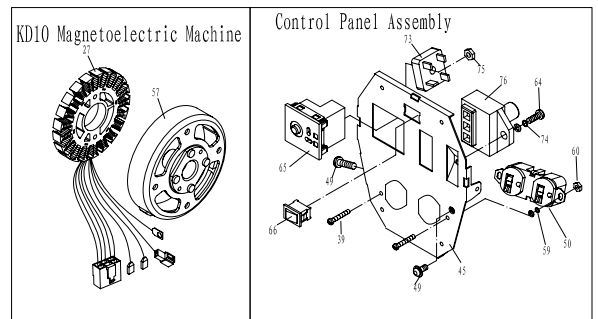
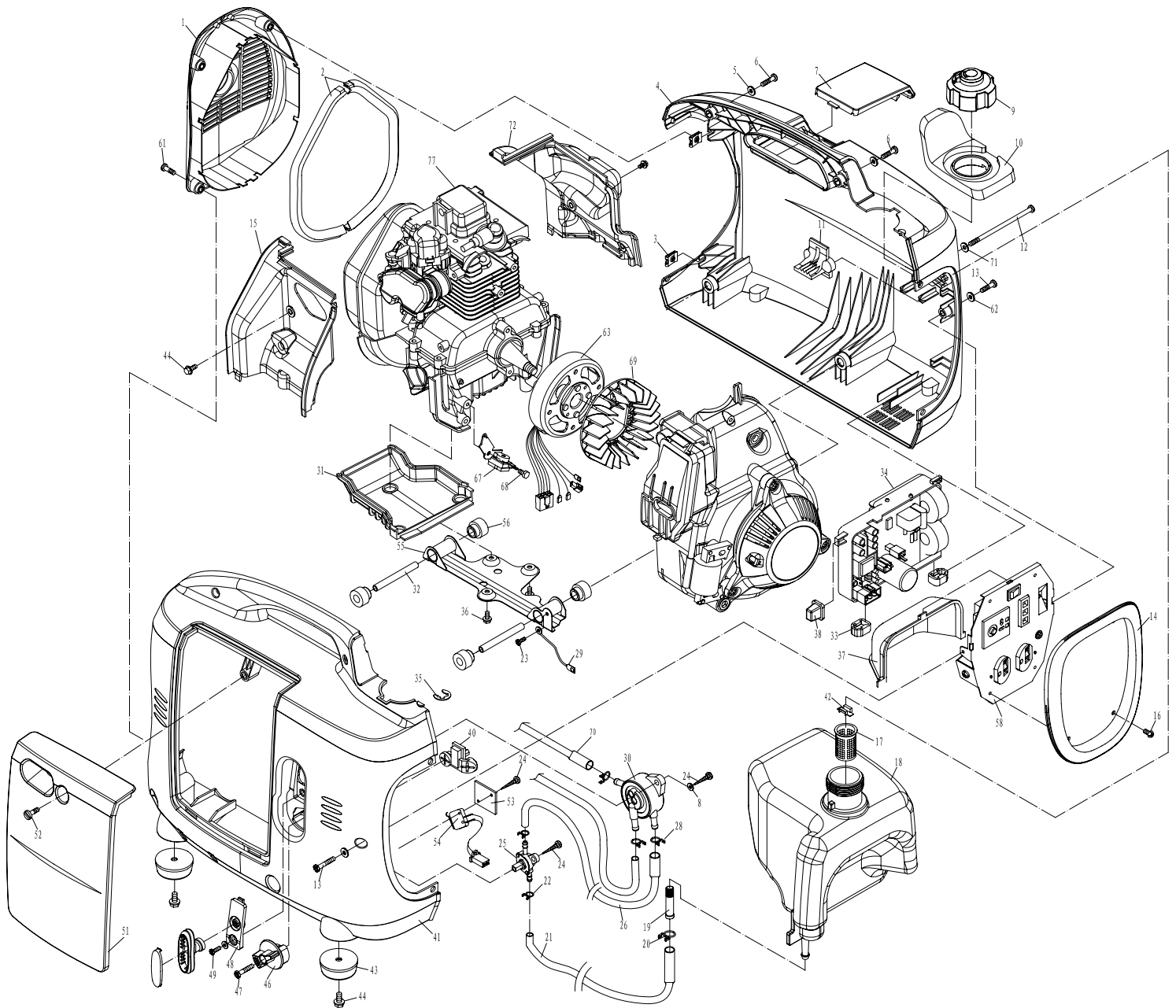


IG1000 ASSEMBLY AND PARTS ALBUM



No.	Part No.	Description	Qty	No.	Part No.	Description	Qty	No.	Part No.	Description	Qty	No.	Part No.	Description	Qty	No.	Part No.	Description	Qty				
1	KGE1000T1-06610	Rear Case	1	16	GB/7818-2000	H-Type Plug Screw M5X8	4	31	KGE1000T1A-03031	Air Outlet Deflector	1	46	KGE1000T1-07008	Oil Switch Handle	1	61	GB/7818-2000	Screw M5X16	4	76	KNDL-01	Three In One Ignition Controller	1
2	KGE1000T1-06601	Seal Grip of Rear Case	1	17	KGE1000T1-07011	Filter Cup	1	32	KGE1000T1-04204	Lower Hollow Shaft	2	47	KGE1000T1-07304	Screen	1	62	GB/797.1-85	Gasket 5	4	77	KG144-00000	KG144 Gasoline Engine	1
3	KGE1000T1-06115	Insertor	4	18	KGE1000T1-07005	Fuel Tank	1	33	KGE1000T1-00008	Module Damping Cushion	2	48	KGE1000T1-06102	Fixing Seat of Starter Handle	1	63	KD10-00000	KD10 Magnetoelectric Machine	1				
4	KGE1000T1-06310	Right Case	1	19	KGE1000T1-07004	Filter Strainer	1	34	DC10	Inverter Module	1	49	GB/7818-2000	H-Type Plug Screw M5X12	3	64	GB/7818-2000	H-Type Plug Screw M5X12	1				
5	GB/797.1-85	Gasket 6	2	20	KGE1000T1-07012	Clip φ10	1	35	GB/7896-1986	Split Washer 9	1	50	S-20R	American Twin Socket	1	65	KZ-22	DC Receptacle (DC12V 8.3A)	1				
6	GB/7818-2000	H-Type Plug Screw M4x20	2	21	KGE1000T1-07001	Fuel Pipe I	1	36	GB/75789-1986	Hexagonal Flange Bolt M5X16	3	51	KGE1000T1-06201	Side Door of Left Case	1	66	RF-100-0882	Throttle Switch	1				
7	KGE1000T1-06440	Top Cover of Right Case	1	22	KGE1000T1-07006	Clip φ7	2	37	KGE1000T1-06001	Electrical Element Protect Cover	1	52	KGE1000T1-00006	Screw M6	1	67	KGE1000T1-13601	Trigger	1				
8	GB/797.1-85	Gasket 4	4	23	GB/7818-2000	H-Type Plug Screw M6X12	1	38	KGE1000T1-00004	Spacer Top Rubber Protective Frame	1	53	KGE3000T1-03017	Micro Switch Baffle	1	68	GB/75789-1986	Hexagonal Flange Bolt M5X12	1				
9	KGE1000T1-07200	Fuel Tank Cover	1	24	GB/7845-85	Self Tapping Screw ST3.8X10e-Cl	6	39	GB/7818-2000	H-Type Plug Screw M4X15	4	54	XV4-26CSF300	Micro Switch	1	69	KD10-02001	Fan	1				
10	KGE1000T1-07009	Protective Sleeve of Fuel Tank Pipe	1	25	KGE1000T1-07300	Oil Switch Assembly	1	40	KGE1000T1-06101	Lower Type Protective Holder of Left Case	1	55	KGE1000T1-04100	Mounting Weldment of Engine	1	70	KGE1000T1-07003	Fuel Pipe III	1				
11	KGE1000T1-06301	Front Top Protective Holder of Right Case	1	26	KGE1000T1-07002	Fuel Pipe II	1	41	KGE1000T1-06110	Left Case	1	56	KGE1000T1-04203	Lower Damping Sheath	4	71	GB/790-85	Gasket 4	2				
12	KGE1000T1-00007	Bolt M6X10S	2	27	KM10-02100	Stator	1	42	KGE1000T1-07013	Oil Scale	1	57	KM10-02200	Rotor	1	72	KGE1000T1A-03013	Exhaust Side Deflector	1				
13	GB/7818-2000	H-Type Plug Screw M5X25	2	28	KGE1000T1-07007	Clip φ9	3	43	KGE1000T1-06700	Damping Gaskets of Case Bottom	4	58	KGE1000T1-13100	Control Panel Assembly	1	73	KRPC25-10	Rectifier Bridge	1				
14	KGE1000T1-06501	Front Case	1	29	KGE1000T1-05000	Ground Bolts of Engine Mountings	1	44	GB/75789-1986	Hexagonal Flange Bolt M5X2	6	59	GB/793-87	Spring Gasket 4	2	74	GB/793-87	Spring Gasket 5	2				
15	KGE1000T1A-03011	Air Inlet Deflector	1	30	KGE1000T1-07300	Vacuum Fuel Pump	1	45	KGE1000T1-13101	Control Panel	1	60	GB/76117-2000	Hexagonal Flange Nut M4	2	75	GB/76117-2000	Hexagonal Flange Nut M5	1				